

IEC Appliance Inlet C14 or C18 with Circuit Breaker TA35 2-pole

new



Screw-on with IP67 and IP54 cord connection



Screw-on with IP67 and TA35 in white with black printed symbols



Screw-on with IP67



Description

- Panel mount :
Screw-on version from front or rear side, snap-in version front side
- 2 Functions :
Appliance Inlet , protection class I or II , Circuit breaker type TA35 , 2-pole
- Pre-wired coupling
- V-Lock notch standard
- Quick connect terminal 6.3 x 0.8 mm

Unique Selling Proposition

- With sealing: IP54 under load, IP67 towards housing
- Various mounting options
- Recessed rocker prevents accidental manipulation
- Compatible with V-Lock cord retention

Characteristics

- Connector and circuit breaker are prewired
- Circuit Breaker non-illuminated or illuminated
- Suitable for use in equipment according to IEC/UL 62368-1

Other versions on request

- Version without pre-wiring from inlet to circuit breaker

References

Substitute for type [6135](#)
 Component: circuit breakers [TA36 Rocker](#); [TA35 Rocker 2Pole](#)
 Alternative: version with line filter [DG12](#)

Weblinks

[pdf data sheet](#), [html datasheet](#), [General Product Information](#), [Approvals](#), [Distributor-Stock-Check](#), [Accessories](#), [Detailed request for product](#)

Inlet Connector C14 / C18 also available without seal. The V-Lock cord latching system prevents against accidental removal of the power supply and allows IP54 under load.

Technical Data

| | | | |
|-----------------------------------|---|-------------------------|--|
| Ratings IEC | 10A / 250VAC; 50Hz | Appliance inlet/-outlet | C14 / C18 acc. to IEC 60320-1 |
| Ratings UL/CSA | 15A / 250VAC; 60Hz | | UL 60320-1, CSA C22.2 no. 60320-1 |
| Dielectric Strength | > 2.5 kVAC between L-N > 3 kVAC between L/N-PE (1 min/50Hz) | | (for cold conditions) pin-temperature 70 °C, 10A, Protection Class I or II |
| Allowable Operation Temperature | -25 °C to 60 °C | Circuit Breakers | Acc. IEC/EN 60934, UL 1077, CSA 22.2 no. 235 |
| IP-Protection | Front Side IP40 / IP67 acc. to IEC 60529 | | 2-pole rocker switch, illuminated or non-illuminated. |
| Protection against electric shock | Suitable for appliances with protection class I or II acc. to IEC 61140 | | |
| Terminal | Quick connect terminals 6.3 x 0.8 mm | | |
| Panel Thickness S | Screw: max 8 mm Recommended torque min 0.25Nm Snap-in : S =1/1.2/1.5/2/2.5/3 mm | | |
| Material: Housing | Thermoplastic, black, UL 94V-0 | | |




Detailed information on product approvals, code requirements, usage instructions and detailed test conditions can be looked up in [Details about Approvals](#)

SCHURTER products are designed for use in industrial environments. They have approvals from independent testing bodies according to national and international standards. Products with specific characteristics and requirements such as required in the automotive sector according to IATF 16949, medical technology according to ISO 13485 or in the aerospace industry can be offered exclusively with customer-specific, individual agreements by SCHURTER.

Approvals

The approval mark is used by the testing authorities to certify compliance with the safety requirements placed on electronic products.

Approval Reference Type: DG11

| Approval Logo | Certificates | Certification Body | Description |
|--|---------------|--------------------|--|
|  | VDE Approvals | VDE | Certificate Number: 40048151 |
|  | UL Approvals | UL | UR File Number: E96454 |
|  | CCC Approvals | CCC | CCC Certificate Number: 2019180204007932, 2019180204007907 |

Product standards

Product standards that are referenced

| Organization | Design | Standard | Description |
|--------------|-----------------------|-----------------------|---|
| | Designed according to | IEC 60320-1 | Appliance couplers for household and similar general purposes |
| | Designed according to | UL 60320-1 | Standard for Attachment Plugs and Receptacles |
| | Designed according to | CSA C22.2 no. 60320-1 | General Use Receptacles, Attachment Plugs, and Similar Wiring Devices |






Application standards

Application standards where the product can be used

| Organization | Design | Standard | Description |
|--------------|--------------------------------|----------------|---|
| | Suitable for applications acc. | IEC/UL 62368-1 | Audio/video, information and communication technology equipment - Part 1: Safety requirements |

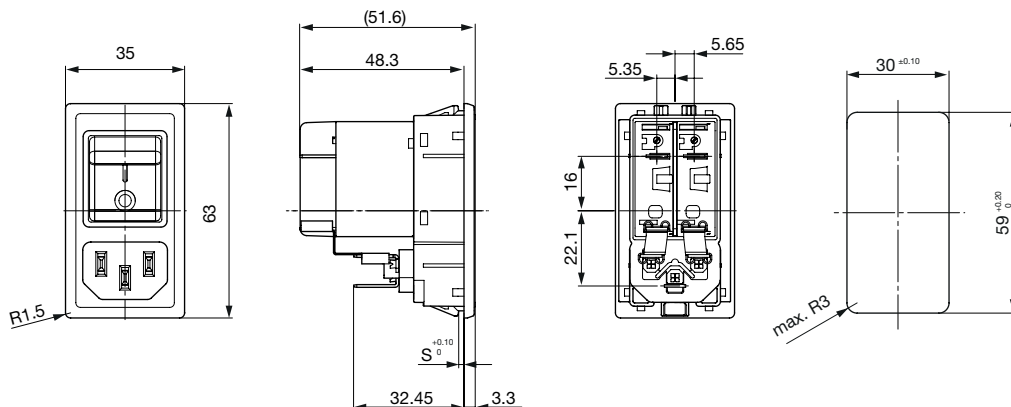
Compliances

The product complies with following Guide Lines

| Identification | Details | Initiator | Description |
|--|--------------------------------|-------------|---|
|  | CE declaration of conformity | SCHURTER AG | The CE marking declares that the product complies with the applicable requirements laid down in the harmonisation of Community legislation on its affixing in accordance with EU Regulation 765/2008. |
|  | UKCA declaration of conformity | SCHURTER AG | The UKCA marking declares that the product complies with the applicable requirements laid down in the British Amendment of Regulation (EC) 765/2008. |
|  | RoHS | SCHURTER AG | Directive RoHS 2011/65/EU, Amendment (EU) 2015/863 |
|  | China RoHS | SCHURTER AG | The law SJ / T 11363-2006 (China RoHS) has been in force since 1 March 2007. It is similar to the EU directive RoHS. |
|  | | SCHURTER AG | |

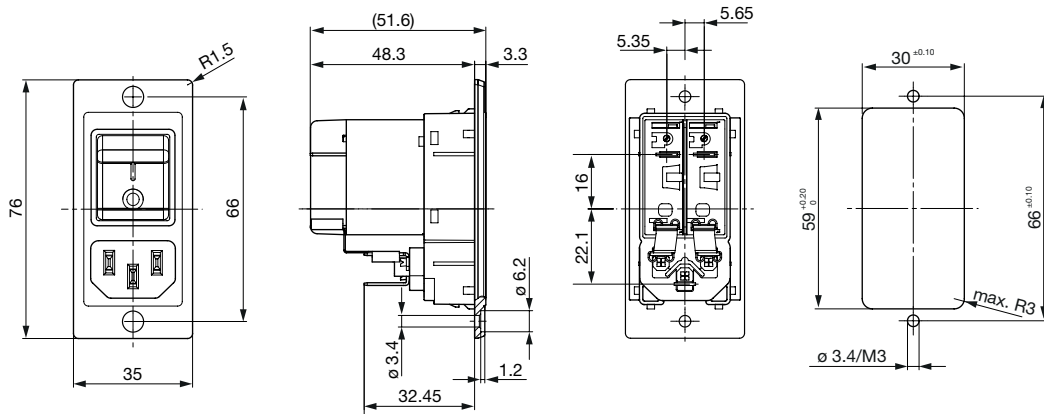
Dimensions [mm]

Snap-in mounting for front mount IP40

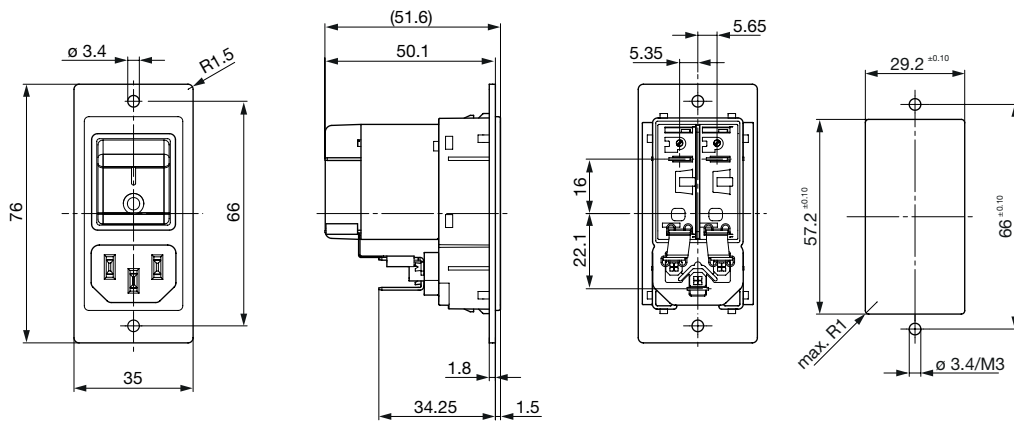


S = Panel thickness

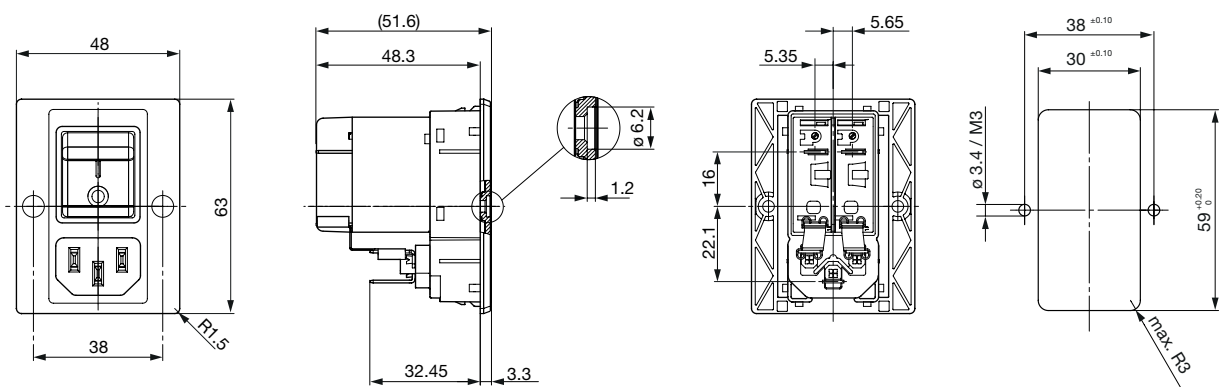
Screw-on mounting version A for front mount IP40



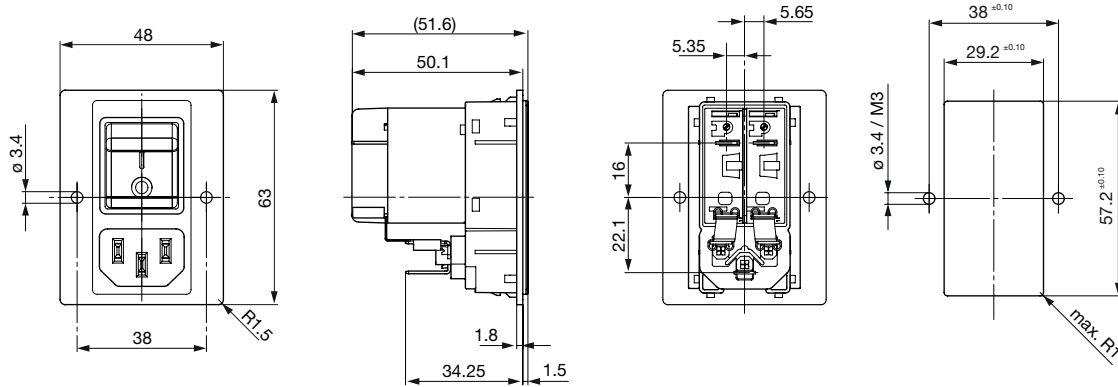
Screw-on mounting Version A for rear mount IP40



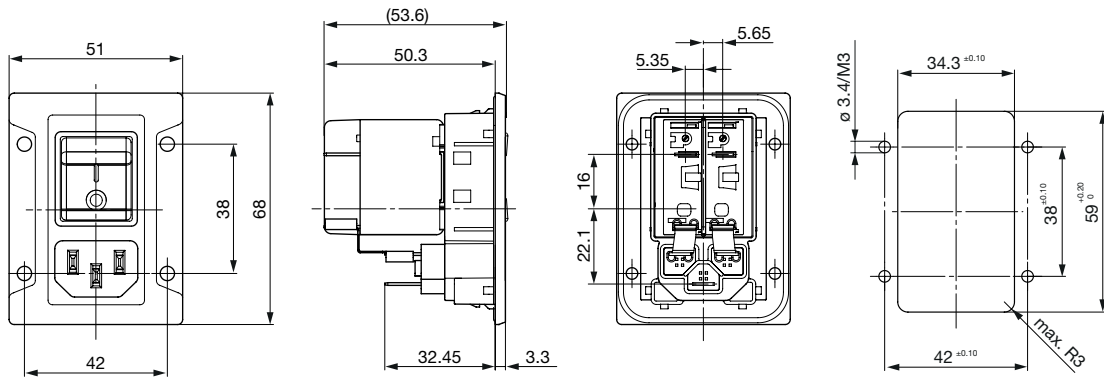
Screw-on mounting Version B for front mount IP40



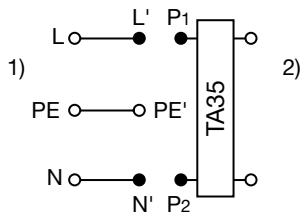
Screw-on mounting version B for rear mount IP40



Screw-on mounting for front mount IP67



Diagrams



- 1) Line
- 2) Load

Effect of ambient temperature

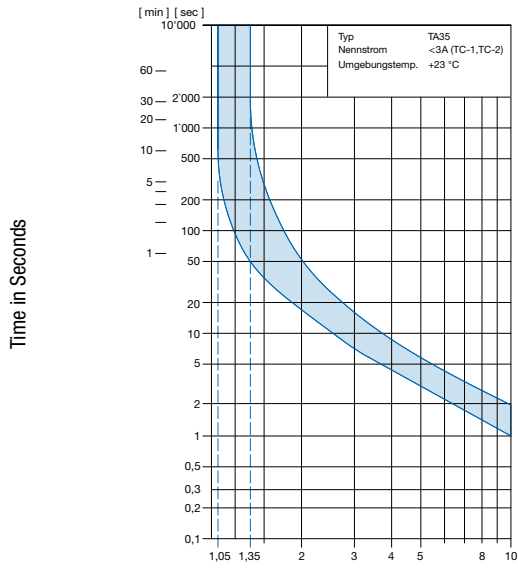
The units are calibrated for an ambient temperature of +23°C. To determine the rated current for a lower or higher ambient temperature, use a correction factor (typical value) from the table below:

| Ambient Temperature [°C] | Correction factor |
|--------------------------|-------------------|
| -30 | 0.76 |
| -20 | 0.81 |
| 0 | 0.90 |
| +23 | 1.00 |
| +40 | 1.03 |
| +50 | 1.04 |
| +60 | 1.06 |

Example: Rated current = 5 A, Environmental temperature = 50 °C --> Correction factor = 1.04, Resulting current = 5.2 A --> Round to next higher rated current: 6 A

Time-Current-Curves

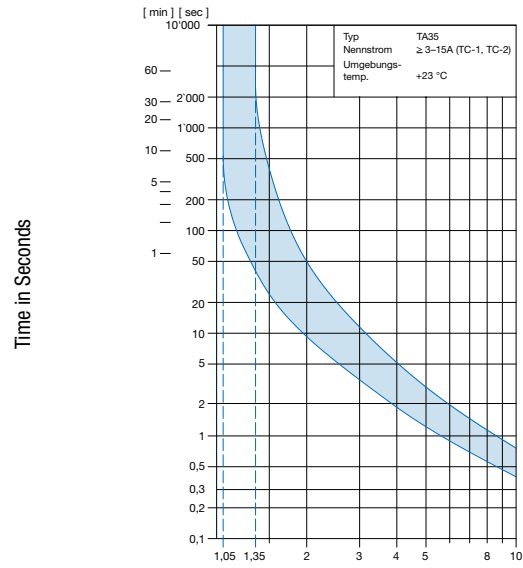
Tripping Characteristics $I_n < 3 A$



Multiple of Rated Current I_n

Ambient temperature +23°

Tripping Characteristics $I_n \geq 3 \dots \leq 15 A$



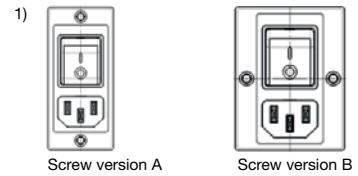
Multiple of Rated Current I_n

Ambient temperature +23°

Order number key

Configuration Code

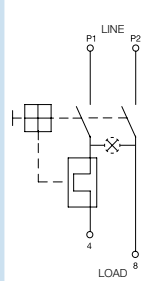
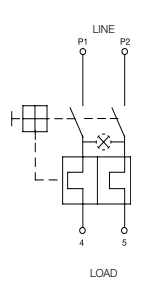
| | | | | | |
|------|--------------------------------------|-------|--------|-----------|---|
| Typ | Configuration Code (Example) TA35 | | | | Color |
| DG11 | C B D W F 1 2 0 C 0 | -000- | C6135- | XXX - XXX | 0 Black |
| | see table 1 | | | | Panel Mounting 1) |
| | | | | | 00 Screw version A front mounting |
| | | | | | 01 Screw version B front mounting |
| | | | | | 02 Screw version A rear mounting |
| | | | | | 03 Screw version B rear mounting |
| | | | | | 10 Snap-in 1.0 mm |
| | | | | | 12 Snap-in 1.2 mm |
| | | | | | 15 Snap-in 1.5 mm |
| | | | | | 20 Snap-in 2.0 mm |
| | | | | | 25 Snap-in 2.5 mm |
| | | | | | 30 Snap-in 3.0 mm |
| | | | | | 88 Screw version front mounting (sealed towards housing, IP67) |
| | | | | | Terminal PE |
| | | | | | 0 Without (PCII) |
| | | | | | 1 QC 6.3x0.8 mm |
| | | | | | Terminal N |
| | | | | | 1 QC 6.3x0.8 mm (unwired) |
| | | | | | 3 Connection to TA35 (wired) |
| | | | | | Terminal L |
| | | | | | 1 QC 6.3x0.8 mm (unwired) |
| | | | | | 3 Connection to TA35 (wired) |



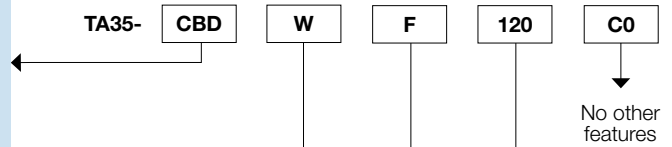
ORDER CODE

Table 1 Selection for type TA35

Order example

| Number of switched poles Number of protected poles | | 2-pole | |
|---|----------------------------|---|---|
| | | 1 | 2 |
| | |  |  |
| Switch | without illumination | CBT | CBD |
| Switch | illuminated 240 V 120 V | C12 C14 | C32 C34 |

Other versions on request



Colours

| | Switch front | Rocker | |
|----------|--------------|-----------------|--------------------|
| | | non-illuminated | illuminated |
| W | black | white | – |
| B | black | black | – |
| 3 | black | – | red transparent |
| 4 | black | – | green transparent |
| 6 | black | – | orange transparent |

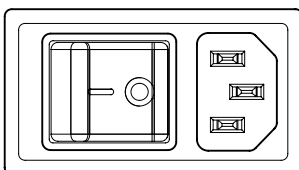
Other colours on request

Rocker legend

| | Surface | Illustration | | Colour of print |
|----------|----------|--------------|-----|-----------------|
| | | ON | OFF | |
| F | embossed | – | o | |
| H | printed | ON | OFF | white |
| K | printed | ON | OFF | black |
| L | printed | – | o | white |
| M | printed | – | o | black |

Other legends on request

Position of the rocker legend e.g. I / O



Rated current I_n (A)

| I _n | Code | I _n | Code |
|----------------|------------|----------------|-------------|
| 1,0 | J10 | 8,0 | 080 |
| 2,0 | J20 | 10,0 | 100 |
| 4,0 | 040 | 12,0 | 120* |
| 5,0 | 050 | 15,0 | 150* |
| 6,0 | 060 | | |

Other rated currents on request *) UL / CSA only

Variants

| Rated Current [A] | Circuit Breaker | | Protection Class | Connector | | | Order Number |
|-------------------|--------------------|-----------------|------------------|-----------|------------------|---------------|--------------|
| | Rocker colour | Illumination | | Color | Mounting | IP-Protection | |
| 10 | orange transparent | illuminated | I | black | Snap-in mounting | IP40 | 3-107-924 |
| 10 | white | non-illuminated | I | black | Screw-on version | IP67 / IP54 | 3-108-454 |
| 10 | black | non-illuminated | I | black | Screw version B | IP40 | 3-108-463 |
| 10 | white | non-illuminated | I | black | Snap-in mounting | IP40 | 3-109-713 |
| 10 | white | non-illuminated | I | black | Screw version B | IP40 | 3-109-714 |
| 10 | white | non-illuminated | I | black | Screw version A | IP40 | 3-109-715 |
| 10 | white | non-illuminated | II | black | Screw-on version | IP67 / IP54 | 3-140-609 |
| 10 | white | non-illuminated | I | white | Screw-on version | IP67 / IP54 | 3-140-691 |
| 10 | white | non-illuminated | II | white | Screw-on version | IP67 / IP54 | 3-140-712 |
| 15 | white | non-illuminated | I | black | Snap-in mounting | IP40 | 3-109-716 |
| 15 | white | non-illuminated | I | black | Screw version B | IP40 | 3-109-717 |
| 15 | white | non-illuminated | I | black | Screw version A | IP40 | 3-109-718 |
| 15 | white | non-illuminated | I | black | Screw-on version | IP67 / IP54 | 3-109-719 |

Most Popular.

Availability for all products can be searched real-time: <https://www.schurter.com/en/info-center/support-tools/stock-check-distributors>

More information in the HTML data sheet on the variant table

Packaging unit 10 Pcs

Accessories

Description



RC320
Rear Cover for Power Entry Module

Mating Outlets/Connectors shuttered

Category / Description



Connector Overview complete

4783 Mounting: Power Cord, 3 x 1 mm² / 3 x 18 AWG, Cable, Connector: IEC C13

4783



Power Cord Overview complete

SC54C13KS, Overview, V-Lock cord retaining, diverse Connector IEC C13, diverse, black

SC54C13KS

