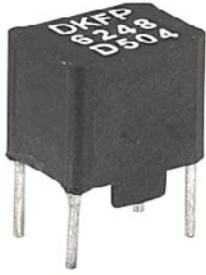


Magnetically Compensated Choke, compact



**Description**

- Current compensated choke
- THT-terminals
- Inductor vertically positioned in housing

**Standards**

- EN 60938

**Applications**

- Attenuation of common mode interferences
- Designed for 230/400 VAC applications
- Chopper amplifiers
- DC drives and stepper motor controls
- Switching power supplies

**References**

[General Product Information](#)

**Weblinks**

[Approvals](#), [RoHS](#), [CHINA-RoHS](#), [e-Store](#), [Distributor-Stock-Check](#)

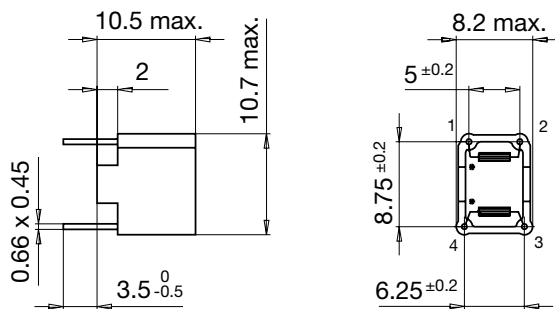
**Technical Data**

Rated voltage	up to 250 VAC
Rated Current	0.5 - 2 A @ Ta 40 °C
Rated inductance	0.5 - 4.0 mH, Tol. -30% +50%
Power Operating Frequency	50 - 400 Hz
Terminal technic	THT
Weight	1 g
Material: Housing	UL 94V-0
Sealing Compound	UL 94V-0

Test Voltage	1.5 kV, 50 Hz, 1 min, winding to winding
Isolation Voltage	2 kV eff., winding to ambient
Climatic Category	25/100/21 acc. to IEC 60068-1
Allowable Operation Temp.	-25 °C to 100 °C

**Dimensions**

Case 48-2



**Variants**

I <sub>n</sub> [A]	L <sub>n</sub> [mH]	R <sub>CU</sub> [mΩ]	Tripped Power Dissipation [W]	f <sub>RES</sub> [MHz]	Weight [g]	Housing	Packing unit [pcs.]	Order Number
0.5	4	500	0.25	1.2	1	48-2	176	DKFP-6248-D504
0.9	2	240	0.39	1.6	1	48-2	176	DKFP-6248-0102
2	0.5	50	0.4	4.5	1	48-2	176	DKFP-6248-02D5