

IEC Appliance Inlet C6, insert Mounting, Front or Rear Side, Solder, PCB or Quick-connect Terminal

**Description**

Drop-in type, Appliance Inlet, Pin temperature 70 °C Protection class I  
- Solder, Quick Connect or PCB Terminal

**Approvals**

- VDE Certificate Number: 40002273
- UL File Number: E96454
- CSA File Number: 27324

**References**

We recommend for new applications the type [0724](#)

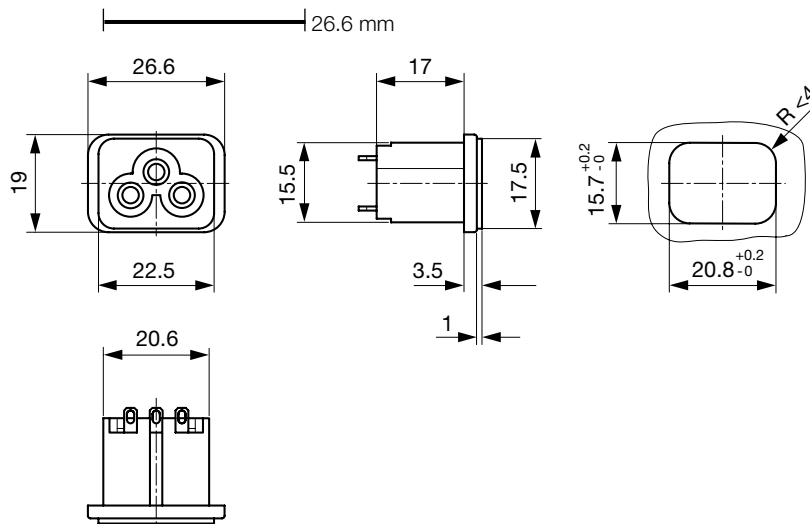
**Weblinks**

[pdf](#), [html](#), [General Product Information](#), [Approvals](#), [RoHS](#), [CHINA-RoHS](#), [Mating Connectors](#), [e-Store](#), [SCHURTER-Stock-Check](#), [Distributor-Stock-Check](#), [Accessories](#)

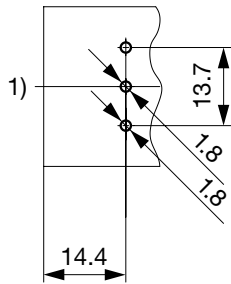
**Technical Data**

|                           |   |
|---------------------------|---|
| Ratings IEC               | 2.5 A / 250 VAC; 50 Hz  |
| Ratings UL/CSA            | 2.5 A / 250 VAC; 60 Hz  |
| Dielectric Strength       | > 4 kVAC between L-N<br>> 2 kVAC between L/N-PE<br>(1 min/50 Hz)  |
| Allowable Operation Temp. | -25 °C to 70 °C   |
| Degree of Protection      | from front side IP 20 acc. to IEC 60529                           |
| Protection Class          | Suitable for appliances with protection class 1 acc. to IEC 61140 |
| Material: Housing         | PA6, black / grey / white, UL 94V-0                               |

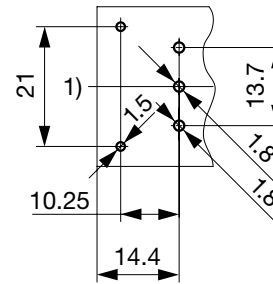
|                 |  |
|-----------------|--|
| Appliance Inlet | C6 acc. to IEC/EN 60320-1<br>UL 498, CSA C22.2 no. 42 (for cold conditions) pin-temperature 70 °C, 2.5 A, Protection Class 1 |
|-----------------|--|

**Dimensions**

Length of the terminal please find at the order code configuration table



Drilling diagram  
1) Panel side



Drilling diagram with retaining bracket  
1) Panel side

### Config. Code

2563 - H - A B C 0 - D - E

The characters are placeholders for the correspondingly keys of selections from the key tables.

2563 - **H** - A B C 0 - D - E = Type

| Type               | Configuration key |
|--------------------|-------------------|
| protection class 1 | X                 |

2563 - H - **A** B C 0 - D - E = Terminals

| Terminal L                         | Configuration key |
|------------------------------------|-------------------|
| short solder terminal (L = 4.8 mm) | 2                 |
| long solder terminal (L = 8.5 mm)  | 3                 |
| PCB-terminal (standard)            | 4                 |
| Blade terminal (2.8 x 0.8 mm)      | 7                 |



2563 - H - A **B** C 0 - D - E = Terminals

| Terminal N                         | Configuration key |
|------------------------------------|-------------------|
| short solder terminal (L = 4.8 mm) | 2                 |
| long solder terminal (L = 8.5 mm)  | 3                 |
| PCB-terminal (standard)            | 4                 |
| Blade terminal (2.8 x 0.8 mm)      | 7                 |

Symbols similar as in table A

2563 - H - A B **C** 0 - D - E = Terminals

| Terminal Ground                    | Configuration key |
|------------------------------------|-------------------|
| short solder terminal (L = 4.8 mm) | 2                 |
| long solder terminal (L = 8.5 mm)  | 3                 |
| PCB-terminal (standard)            | 4                 |
| Blade terminal (2.8 x 0.8 mm)      | 7                 |

Symbols similar as in table A

2563 - H - A B C 0 - **D** - E = Color

| Color                | Configuration key |
|----------------------|-------------------|
| jet black; RAL9005   | A                 |
| silver grey; RAL7001 | B                 |
| pure white; RAL9010  | D                 |

2563 - H - A B C 0 - D - **E** = Style

| Style       | Configuration key |
|-------------|-------------------|
| insert type | 5                 |

**Packaging unit** 100 Pcs

## Mating Outlets/Connectors

### Category / Description



[Power Cord Overview complete](#)

Power Cord with IEC Connector C5, Angled

2512

Power Cord with IEC Connector C5, Straight

2530

[Power Cord further types to 2563](#)