

IEC Connector C13, Rewireable, Angled



C13



70 °C

**Description**

- Connector:
Screwing cable terminal, Pin temperature 70 °C, Protection class I, Cable
- Note: Please order pvc strain relief separately, mating strain reliefs please find under accessories.

Approvals

- VDE Certificate Number: 40008187
- CSA File Number: 1612079

References

We recommend for new applications the type [4785](#)

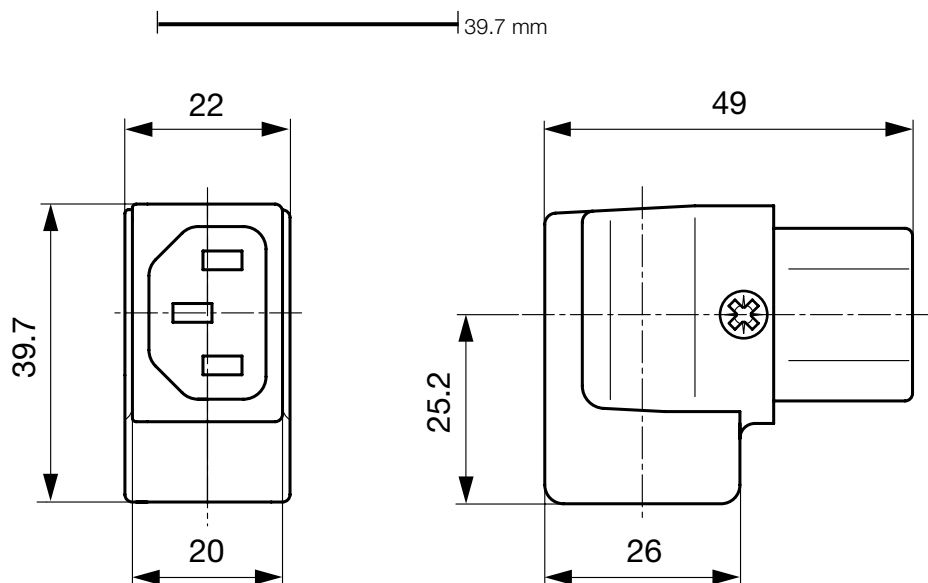
Weblinks

[pdf](#), [html](#), [General Product Information](#), [Approvals](#), [RoHS](#), [CHINA-RoHS](#), [Mating Connectors](#), [e-Shop](#), [SCHURTER-Stock-Check](#), [Distributor-Stock-Check](#), [Accessories](#)

Technical Data

| | |
|---------------------------|---|
| Ratings IEC | 10 A / 250 VAC; 50 Hz |
| Ratings UL/CSA | 15 A / 250 VAC; 60 Hz |
| Dielectric Strength | > 3 kVAC between L-N |
| | > 1.5 kVAC between L/N-PE (1 min/50 Hz) |
| Allowable Operation Temp. | -25 °C to 70 °C |
| Degree of Protection | from front side IP 20 acc. to IEC 60529 |
| Protection Class | Suitable for appliances with protection class 1 acc. to IEC 61140 |
| Terminal | Screw clamps |
| Material: Housing | PA6, black or grey, UL 94V-0 |

| | |
|-----------|--|
| Connector | C13 acc. to IEC/EN 60320-2-2 UL 498, CSA C22.2 no. 42 (for cold conditions) pin-temperature 70 °C, 10 A, Protection Class 1 |
|-----------|--|

Dimensions

Config. Code

4013 - H - A B C 0 - D - E J

The characters are placeholders for the correspondingly keys of selections from the key tables.

4013 - H - A B C 0 - D - E J = Type

| Type | Configuration key |
|--------------------|-------------------|
| protection class 1 | X |

4013 - H - A B C 0 - D - E J = Terminals

| Terminal L | Configuration key |
|----------------|-------------------|
| screw terminal | A |

4013 - H - A B C 0 - D - E J = Terminals

| Terminal N | Configuration key |
|-------------------------------|-------------------|
| screw terminal | A |
| Symbols similar as in table A | |

4013 - H - A B C 0 - D - E J = Terminals

| Terminal Ground | Configuration key |
|-------------------------------|-------------------|
| screw terminal | A |
| Symbols similar as in table A | |

4013 - H - A B C 0 - D - E J = Color

| Color | Configuration key |
|-------|-------------------|
| Black | A |
| Grey | B |

4013 - H - A B C 0 - D - E J = Style

| Style | Configuration key |
|-------------------|-------------------|
| for cord assembly | 8 |

4013 - H - A B C 0 - D - E J = Condition

| Condition | Configuration key |
|--------------|-------------------|
| assembled | 1 |
| disassembled | 2 |

Variants

| Config. Code | Description | Order Number |
|------------------|--|--------------|
| 4013-X-AAA0-A-81 | 4013, IEC Connector, C13, 70°C, version: 1, L: screw terminal, N: screw terminal, ground: screw terminal, color: Black, design: for cord assembly, condition:assembled | 4310.0021 |
| 4013-X-AAA0-B-81 | 4013, IEC Connector, C13, 70°C, version: 1, L: screw terminal, N: screw terminal, ground: screw terminal, color: Grey, design: for cord assembly, condition:assembled | 4310.0022 |

The listed variants should be available from stock Other versions on request www.schurter.com/contact

Packaging unit 50 Pcs

Accessories

Description



[4311.0053](#)
PVC Strain Relief for cable outside diameter 8.7mm, 3 x 16AWG



[4311.0068](#)
PVC Strain Relief for cable outside diameter 10mm, 3 x 14AWG



4311.9305
PVC Strain Relief for cable outside diameter 8.7mm-10mm, 3 x 14AWG

Mating Inlets/Plugs

Category / Description

Appliance Inlet Overview complete



| | |
|--|------|
| IEC Appliance Inlet C14, Snap-in Mounting, Front Side, Solder or Quick-connect Terminal | 0711 |
| IEC Appliance Inlet C14, Screw-on Mounting, Rear Side, PCB Terminal | 1001 |
| IEC Appliance Inlet C18, Screw-on Mounting, Rear Side, PCB Terminal | 1005 |
| IEC Appliance Inlet C14, Snap-in Mounting, Solder, Quick-connect, Screw or PCB Terminal | 6010 |
| IEC Appliance Inlet C18, Snap-in Mounting, Solder, Quick-connect, Screw- or PCB Terminal | 6015 |
| Appliance Inlet further types to 4013 | ... |

Distribution Unit Overview complete



| | |
|--|------|
| Distribution Unit for Snap-in Mounting with 1 IEC Appliance Inlet C14 and 1 Appliance Outlet F | 0712 |
| Distribution Unit with 1 IEC Appliance Inlet C14 or Power Cord, 4 IEC Appliance Outlets F and Extra Components | 4740 |
| Distribution Unit with 1 IEC Appliance Inlet C14 and 2 Appliance Outlets F, Shuttered | 4741 |
| Distribution Unit with 1 IEC Appliance Inlet C14 and 4 Appliance Outlets F | 4747 |
| Distribution Unit further types to 4013 | ... |

Interconnection Cord Overview complete



| | |
|--|------|
| Interconnection Cord with IEC Plug E, Angled | 0607 |
| Interconnection Cord with IEC Plug E, Angled | 0608 |
| Interconnection Cord with IEC Plug E, Straight | 0609 |
| Interconnection Cord with IEC Plug G, Angled | 607B |
| Interconnection Cord with IEC Plug G, Angled | 608B |
| Interconnection Cord further types to 4013 | ... |

Plug Overview complete



| | |
|---|------|
| IEC Plug E, Cord Connector (Rewireable), Straight, max. cable Diameter 8.5 mm | 4732 |
| IEC Plug E, Cord Connector (Rewireable), Angled, max. Cable Diameter 10 mm | 4733 |
| IEC Plug E, Cord Connector (Rewireable), Straight, max. Cable Diameter 10 mm | 4735 |
| IEC Plug E, Cord Connector (Rewireable), Angled, max. Cable Diameter 10 mm | 4736 |
| IEC Plug E, Cord Connector (Rewireable), Straight | 9009 |
| Plug further types to 4013 | ... |

Power Entry Module Overview complete



| | |
|---|------|
| IEC Appliance Inlet C14 or C18 with Fuseholder 1- or 2-pole | 1062 |
| IEC Appliance Inlet C14 or C18 with Fuseholder 1- or 2-pole | 1064 |
| IEC Appliance Inlet C18 with Fuseholder 1-pole | 1065 |
| IEC Appliance Inlet C18 with Fuseholder 1- or 2-pole | 1066 |
| IEC Appliance Inlet C14 with Fuseholder 1- or 2-pole | 1092 |
| Power Entry Module further types to 4013 | ... |

Power Entry Module with line filter Overview complete



| | |
|--|--------|
| IEC Appliance Inlet C14 with Filter | 5110 |
| IEC Appliance Inlet C14 with Filter, Circuit Breaker TA45 | 5145 |
| IEC Appliance Inlet C14 with Filter, Fuseholder 1-pole | 5200 |
| IEC Appliance Inlet C14 with Filter, Fuseholder 1- or 2-pole | 5220 |
| IEC Appliance Inlet C14 with Filter, Fuseholder 2-pole | 8843-8 |
| Power Entry Module with line filter further types to 4013 | ... |