

## IEC Plug I, Cord Connector (Rewireable), Straight



4796



70 °C

**Description**

- Cord Connectors (rewireable):  
Screw-on mounting
- Appliance Inlet, Pin temperature 70 °C, Protection class I
- Cable

**Approvals**

- VDE Certificate Number: 40009212
- UL File Number: E96454
- CSA File Number: 205419

**References**

Substitute for type 0106; 1612

**Weblinks**

[pdf](#), [html](#), [General Product Information](#), [Approvals](#), [RoHS](#), [CHINA-RoHS](#), [Mating Connectors](#), [e-Store](#), [SCHURTER-Stock-Check](#), [Distributor-Stock-Check](#), [Accessories](#)

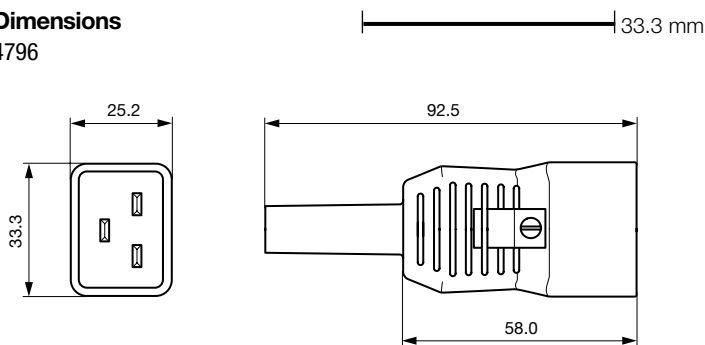
**Technical Data**

Ratings IEC	16 A / 250 VAC; 50 Hz
Ratings UL/CSA	21 A / 250 VAC; 60 Hz
Dielectric Strength	> 2 kVAC between L-N > 2 kVAC between L/N-PE (1 min/50 Hz)
Allowable Operation Temp.	-25 °C to 70 °C
Protection Class	Suitable for appliances with protection class 1 acc. to IEC 61140
Terminal	Cable
Material: Housing	Thermoplastic, black, UL 94V-0

Plug	I acc. to IEC/EN 60320-2-2, UL 498, CSA C22.2 no. 42 (for cold conditions) pin-temperature 70 °C, 16A, Protection Class 1
------	--

**Dimensions**

4796

**Variants**

Color	Max. cable diameter	Max. wire size	Order Number
black	10.0 mm	3 x 2.1 mm <sup>2</sup> / 3 x 14 AWG	4796.0000

Max. torque for screws: Terminals: 0.8 Nm, Cable clamps: 0.4 Nm, Cover: 0.4 Nm

**Packaging unit**

50 Pcs

Accessories

Description



[Cord retaining kits](#)  
Cord retaining strain relief

Mating Outlets/Connectors

Category / Description



[Appliance OutletOverview complete](#)

IEC Appliance Outlet J, Screw-on Mounting, Front Side, Solder or Quick-connect Terminal	0723
IEC Appliance Outlet J, Snap-in/Screw-on Mounting, Front Side, Solder or Quick-connect Terminal	4797
IEC Appliance Outlet J, Snap-in Mounting, Front Side, Quick-connect Terminal	5013
IEC Appliance Outlet J, Screw-on Mounting, Front Side, Quick-connect Terminal	5016
IEC Appliance Outlet J, Screw-on Mounting, Front Side, Quick-connect Terminal	5017

[Appliance Outletfurther types to4796](#)

...

[ConnectorOverview complete](#)



IEC Connector C19, Rewireable, Straight	0104
IEC Connector C19, Rewireable, Angled	1651
IEC Connector C19, Rewireable, Straight	1652
IEC Connector C19, Rewireable, Angled	4790
IEC Connector C19, Rewireable, Straight	4795

[Connectorfurther types to4796](#)