

IEC Appliance Inlet C14 with Line Switch 1- or 2-pole

**Description**

- Panel Mount:
Snap-in version, from front side Appliance Inlet, Protection class I, Line Switch 1- or 2-pole
- Solder, Quick Connect or Screw Terminals

Approvals

- UL File Number: E45115
- CSA File Number: 1406497

Characteristics

- Line switch non-illuminated or illuminated

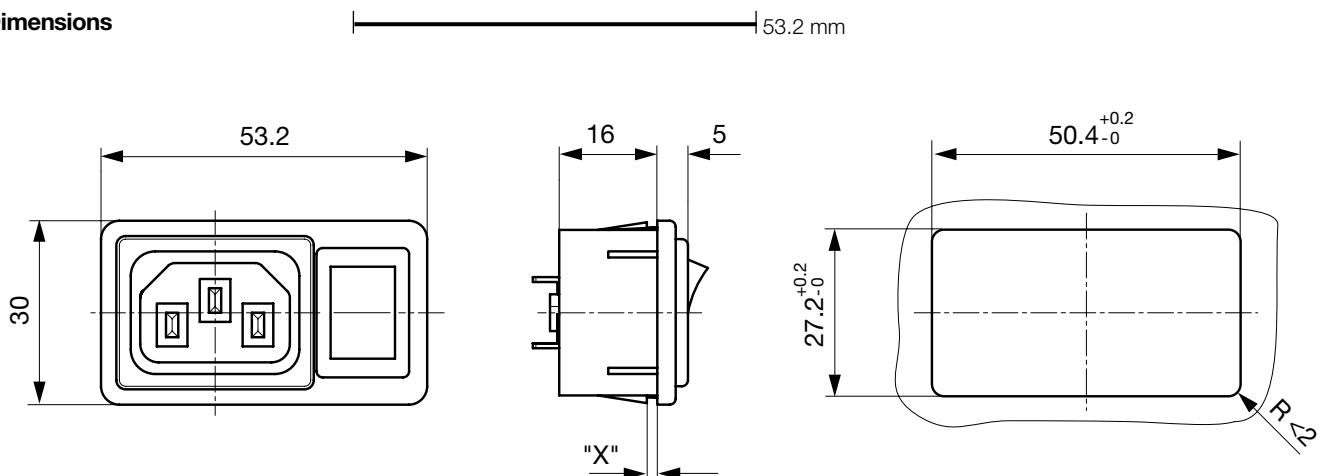
Weblinks

[pdf](#), [html](#), [General Product Information](#), [Approvals](#), [RoHS](#), [CHINA-RoHS](#), [Mating Connectors](#), [e-Shop](#), [SCHURTER-Stock-Check](#), [Distributor-Stock-Check](#), [Accessories](#)

Technical Data

Ratings IEC	10 A / 250VAC; 50Hz
Ratings UL/CSA	15 A / 250VAC; 60Hz
Dielectric Strength	> 3 kVAC between L-N > 1.5 kVAC between L/N-PE (1 min/50Hz)
Allowable Operation Temp.	-25 °C to 70 °C
Degree of Protection	from front side IP 20 acc. to IEC 60529
Protection Class	Suitable for appliances with protection class 1 acc. to IEC 61140
Terminal	Solder, Quick Connect or Screw Terminals
Panel Thickness s	Snap-in Snap-in: 1/1.5/2/2.5/3 mm
Material: Housing	PA6, black or grey, UL 94V-0

Appliance Inlet	C14 acc. to IEC/EN 60320-1 UL 498, CSA C22.2 no. 42 (for cold conditions) pin-temperature 70 °C, 10 A, Protection Class 1
Line Switch	Rocker switch 1 or 2 pole, illuminated black or grey, acc. to IEC 61058-1 Technical details

Dimensions

Length of the terminal please find at the order code configuration table
Dimension "X" please ref. to table order code

Config. Code

6010-K - - A B C N - D - E G O P

The characters are placeholders for the correspondingly keys of selections from the key tables.

6010-K - - **A** B C N - D - E G O P = Terminals

Terminal L	Configuration key
short solder terminal (L = 4.8 mm)	2
long solder terminal (L = 8.5 mm)	3
Blade terminal (4.8 x 0.8 mm)	8
Blade terminal (6.3 x 0.8 mm)	9
screw terminal	A



6010-K - - A **B** C N - D - E G O P = Terminals

Terminal N	Configuration key
short solder terminal (L = 4.8 mm)	2
long solder terminal (L = 8.5 mm)	3
Blade terminal (4.8 x 0.8 mm)	8
Blade terminal (6.3 x 0.8 mm)	9
screw terminal	A

Symbols similar as in table A

6010-K - - A B **C** N - D - E G O P = Terminals

Terminal Ground	Configuration key
short solder terminal (L = 4.8 mm)	2
long solder terminal (L = 8.5 mm)	3
Blade terminal (4.8 x 0.8 mm)	8
Blade terminal (6.3 x 0.8 mm)	9
screw terminal	A

Symbols similar as in table A

6010-K - - A B C **N** - D - E G O P = Terminal Fuseholder

Terminal Fuseholder	Configuration key

6010-K - - A B C N - **D** - E G O P = Color

Color	Configuration key
Black	A
Grey	B

6010-K - - A B C N - D - **E** G O P = Style

Style	Configuration key
snap-in (x=panel thickness)	4

6010-K - - A B C N - D - E **G** O P = Dimension X

Dimension "X"	Configuration key
15	
20	
25	
30	

The dimension "X" is displayed in (1/10 mm). This information is also valid for the order code

6010-K - - A B C N - D - E G **O** P = Features

Features	Configuration key
not used	0

6010-K - - A B C N - D - E G O **P** = Latching Action Switch

Latching Action Switch	Configuration key
unipolar switch, 4,8mm blade terminal, black rocker	2
unipolar switch, solder terminal, black rocker	3
bipolar switch, 4,8mm blade terminal, black rocker	4
bipolar switch, solder terminals, black rocker	5
bipolar switch, 4,8mm blade terminal, rocker red illuminated	6
bipolar switch, solder terminal, rocker red illuminated	7
bipolar switch, 4,8mm blade terminals, rocker green illuminated	8
bipolar switch, solder terminals, rocker green illuminated	9

Variants

Config. Code	Description	Order Number
6010-K--7770-A-4256	6010-K, IEC Power Entry Module C14, 70°C, version: 1, L: Blade terminal (2.8 x 0.8 mm), N: Blade terminal (2.8 x 0.8 mm), ground: Blade terminal (2.8 x 0.8 mm)without terminal, color: Black, design: snap-in (x=panel thickness), dimension X: 25, features: not used, bipolar switch, 4,8mm blade terminal, rocker red illuminated	4304.6045
6010-K--9990-A-4154	6010-K, IEC Power Entry Module C14, 70°C, version: 1, L: Blade terminal (6.3 x 0.8 mm), N: Blade terminal (6.3 x 0.8 mm), ground: Blade terminal (6.3 x 0.8 mm)without terminal, color: Black, design: snap-in (x=panel thickness), dimension X: 15, features: not used, bipolar switch, 4,8mm blade terminal, black rocker	4304.6046
6010-K--9990-A-4254	6010-K, IEC Power Entry Module C14, 70°C, version: 1, L: Blade terminal (6.3 x 0.8 mm), N: Blade terminal (6.3 x 0.8 mm), ground: Blade terminal (6.3 x 0.8 mm)without terminal, color: Black, design: snap-in (x=panel thickness), dimension X: 25, features: not used, bipolar switch, 4,8mm blade terminal, black rocker	4304.6047
6010-K- -9990-A-425 4	6010-K, IEC Power Entry Module C14, 70°C, version: 1, L: Blade terminal (6.3 x 0.8 mm), N: Blade terminal (6.3 x 0.8 mm), ground: Blade terminal (6.3 x 0.8 mm)without terminal, color: Black, design: snap-in (x=panel thickness), dimension X: 25, features: not used, bipolar switch, 4,8mm blade terminal, black rocker	4304.6048

The listet variants should be available from stock Other versions on request www.schurter.com/contact

Packaging unit 50 Pcs

Mating Outlets/Connectors

Category / Description

[Appliance OutletOverview complete](#)



IEC Appliance Outlet F, Screw-on Mounting, Front Side, Solder Terminal	4787
IEC Appliance Outlet F, Snap-in Mounting, Front Side, Solder or Quick-connect Terminal	4788
IEC Appliance Outlet F or H, Screw-on Mounting, Front Side, Solder, PCB or Quick-connect Terminal	5091
IEC Appliance Outlet F or H, Screw-on Mounting, Front Side, Solder or Quick-connect Terminal	5092

[Appliance Outletfurther types to6010-K](#)

[ConnectorOverview complete](#)



IEC Connector C15, Rewireable, Straight	0101
IEC Connector C15A, Rewireable, Straight	0102
IEC Connector C15A, Rewireable, Straight	0102-G
IEC Connector C15A, Rewireable, Angled	0112
IEC Connector C13, Rewireable, Angled	4012

[Connectorfurther types to6010-K](#)

[Power CordOverview complete](#)



Power Cord with IEC Connector C13, Angled	0311
Power Cord with IEC Connector C13, Angled	3011
Power Cord with IEC Connector C13, Angled	3012
Power Cord with IEC Connector C13, Angled	3013
Power Cord with IEC Connector C13	3020

[Power Cordfurther types to6010-K](#)

[Power Supply or Interconnection CordOverview complete](#)



Divers Power Supply and Interconnection Cords 10 A	Cord Sets 10 A
--	----------------

[Power Supply or Interconnection Cordfurther types to6010-K](#)