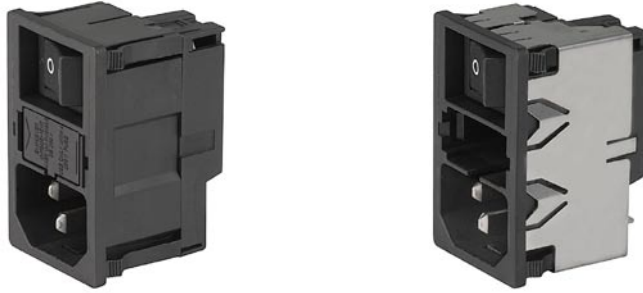


IEC Appliance Inlet C14 with Fuseholder 2-pole, Line Switch 1- or 2-pole

Plug removal necessary for fuse replacement



KM with shield



### Description

- Panel Mount:
  - Snap-in version from front side
- 3 Functions:
  - Appliance Inlet Protection class I, Line Switch 2-pole, Fuseholder for fuse-links 5 x 20 mm 1- or 2-pole
- Quick connect terminals 4.8 x 0.8 mm
- With cover on rear-side

### Approvals

- VDE Certificate Number: 40021981
- UL File Number: E93617

### Characteristics

- Ultra-compact design. Small dimensions in front of and behind the panel
- All single elements are already wired
- For added safety "Extra-Safe" fuse drawers are available
  - Fuse drawer meets requirements of medical standard IEC/EN 60601-1
  - The fuse drawer can only be opened with the aid of a tool
  - The fuseholder is accessible from the equipment front
- Ideal for application with high transient loads
- Qualified for use in equipment according IEC/EN 60950

### Other versions on request

- Fuse drawer 1-pole, plus spare fuse case
- Fuse drawer 2-pole, with shorting bar
- Line switch 1-pole
- Other rocker marking
- Protection class II, 70°C

### References

Alternative: version with line filter [KMF](#)  
 Alternative: version for screw mounting [DD11](#)

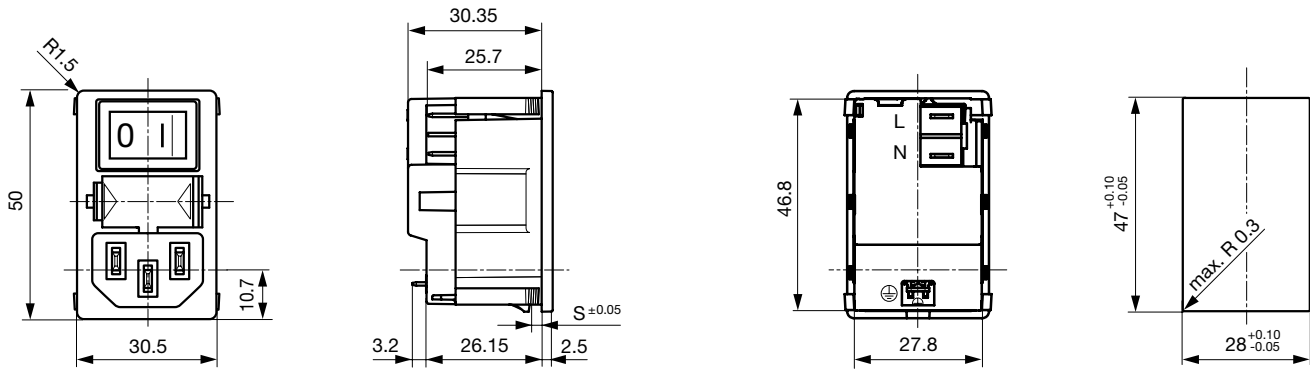
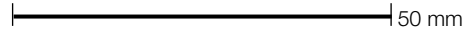
### Weblinks

[pdf](#), [html](#), [General Product Information](#), [Approvals](#), [RoHS](#), [CHINA-RoHS](#), [Mating Connectors](#), [e-Store](#), [SCHURTER-Stock-Check](#), [Distributor-Stock-Check](#), [Accessories](#), [Wire Harness](#)

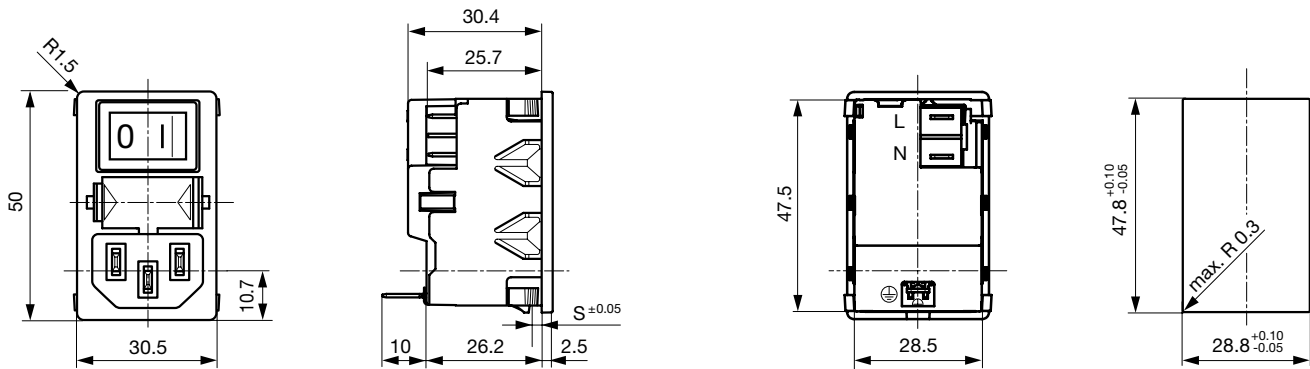
### Technical Data

Ratings IEC	10A / 250VAC; 50Hz	Appliance Inlet	C14 acc. to IEC/EN 60320-1, UL 498, CSA C22.2 no. 42 (for cold conditions) pin-temperature 70 °C, 10A, Protection Class 1
Ratings UL/CSA	10A / 250VAC; 60Hz	Fuseholder	1 or 2 pole, Shocksafe category PC2 acc. to IEC 60127-6, for fuse-links 5 x 20mm
Dielectric Strength	> 2.5kVAC between L-N > 3kVAC between L/N-PE (1 min/50Hz)	Rated Power Acceptance @ Ta 23 °C	5 x 20: 2W (1 pole)/ 1.4W (2-pole) per pole Choose fuse-links for 2-pole version in such a way that the typical power acceptance is less than 1.4 W for each pole
Allowable Operation Temp.	-25 °C to 70 °C	Power Acceptance @ Ta > 23°C	Admissible power acceptance at higher ambient temperature see derating curves
Degree of Protection	from front side IP 40 acc. to IEC 60529	Line Switch	Rocker switch 2-pole, non-illuminated, acc. to IEC 61058-1 <a href="#">Technical details</a>
Protection Class	Suitable for appliances with protection class 1 acc. to IEC 61140		
Terminal	Quick connect terminals 4.8 x 0.8 mm, tin-plated		
Panel Thickness s	Snap-in: 1/1.5/2/2.5 mm (all steps with one variant)		
Material: Housing	Thermoplastic, black, UL 94V-0		

**Dimensions**  
KM without shield

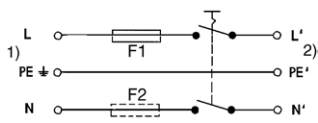


KM with shield



**Diagrams**

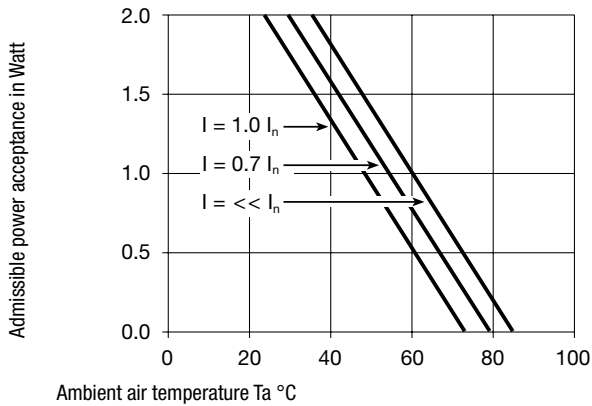
with shield



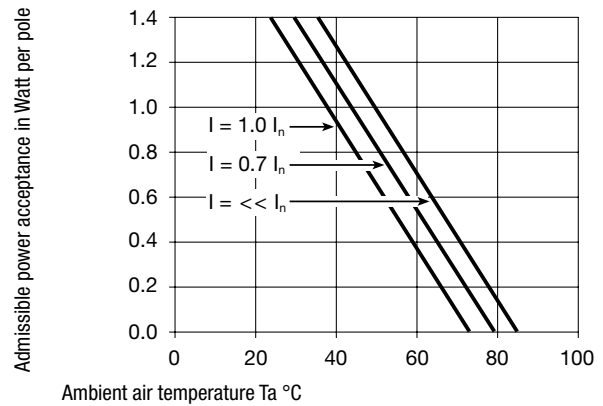
- 1) Line
- 2) Load

**Derating Curves**

1-pole



2-pole



**Variants**

Fuse drawer must be ordered separately (see accessories).  
Fingerrip and Extra Safe. The same drawer as used by type KEA.

Fuseholder	Line Switch	EMC-Shielding	Order Number
1-pole	2-pole	-	KM00.1205.11
2-pole	2-pole	-	KM00.1105.11
1-pole	2-pole	With EMC-shield and without line filter	KM01.1205.11
2-pole	2-pole	With EMC-shield and without line filter	KM01.1105.11

**Packaging unit** 50 Pcs

**Required Accessory**

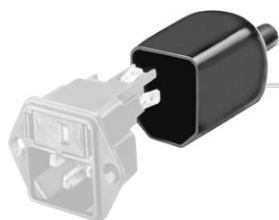
**Description**

**Fusedrawer 2**  
Fusedrawer with and without Voltage Selector Insert



Fingerrip, 2-pole	4301.1401
Extra-Safe, 2-pole	4301.1403
Fingerrip, 1-pole	4301.1405
Extra-Safe, 1-pole	4301.1407
...	...

**Accessories**



**Assorted Covers**  
Rear Cover

0859.0076
-----------



**Wire Harness**  
Wire harness for SCHURTER products



Cord retaining kits  
Cord retaining strain relief

Flat head, A	4700.0001
--------------	-----------

Mating Outlets/Connectors

Category / Description

Appliance OutletOverview complete



IEC Appliance Outlet F, Screw-on Mounting, Front Side, Solder Terminal	4787
IEC Appliance Outlet F, Snap-in Mounting, Front Side, Solder or Quick-connect Terminal	4788
IEC Appliance Outlet F or H, Screw-on Mounting, Front Side, Solder, PCB or Quick-connect Terminal	5091
IEC Appliance Outlet F or H, Screw-on Mounting, Front Side, Solder or Quick-connect Terminal	5092

Appliance Outletfurther types toKM

ConnectorOverview complete



IEC Connector C15, Rewireable, Straight	0101
IEC Connector C15A, Rewireable, Straight	0102
IEC Connector C15A, Rewireable, Straight	0102-G
IEC Connector C15A, Rewireable, Angled	0112
IEC Connector C13, Rewireable, Angled	4012

Connectorfurther types toKM

...

Power CordOverview complete



Power Cord with IEC Connector C13, Angled	0311
Power Cord with IEC Connector C13, Angled	3011
Power Cord with IEC Connector C13, Angled	3012
Power Cord with IEC Connector C13, Angled	3013
Power Cord with IEC Connector C13	3020

Power Cordfurther types toKM

...